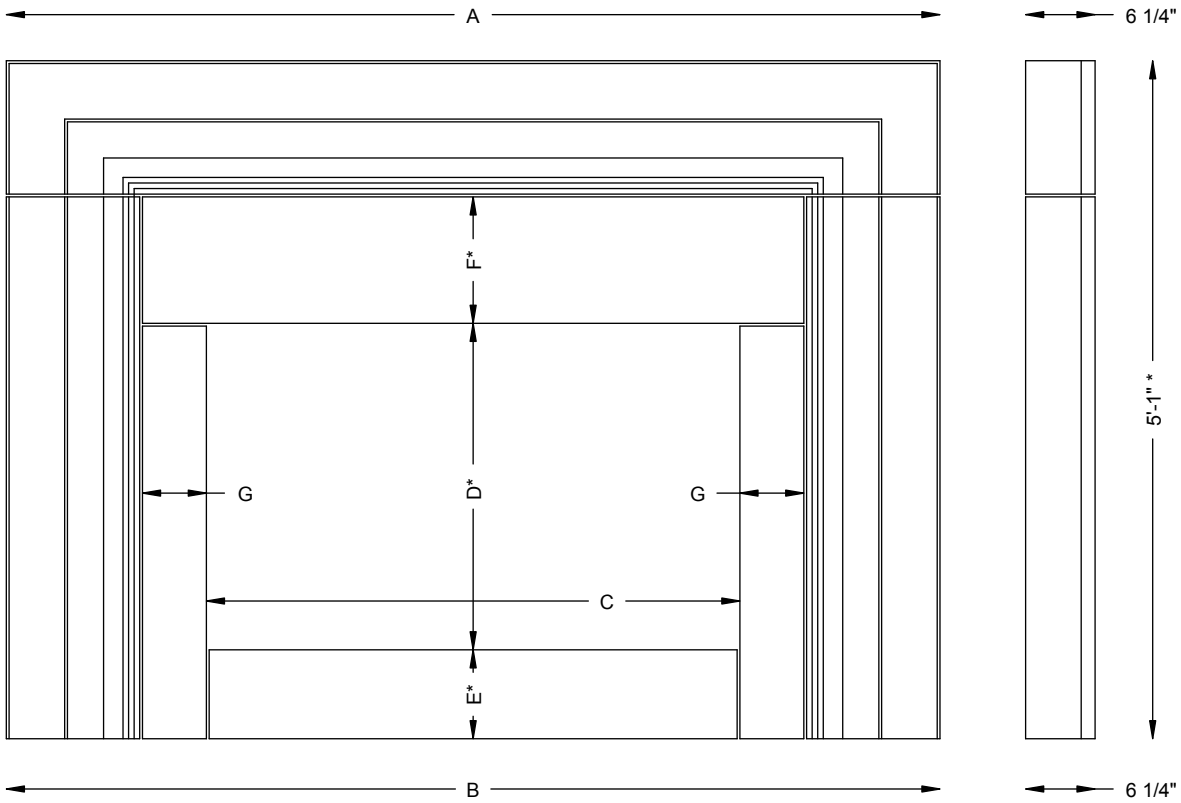


PRECISION DEVELOPMENT

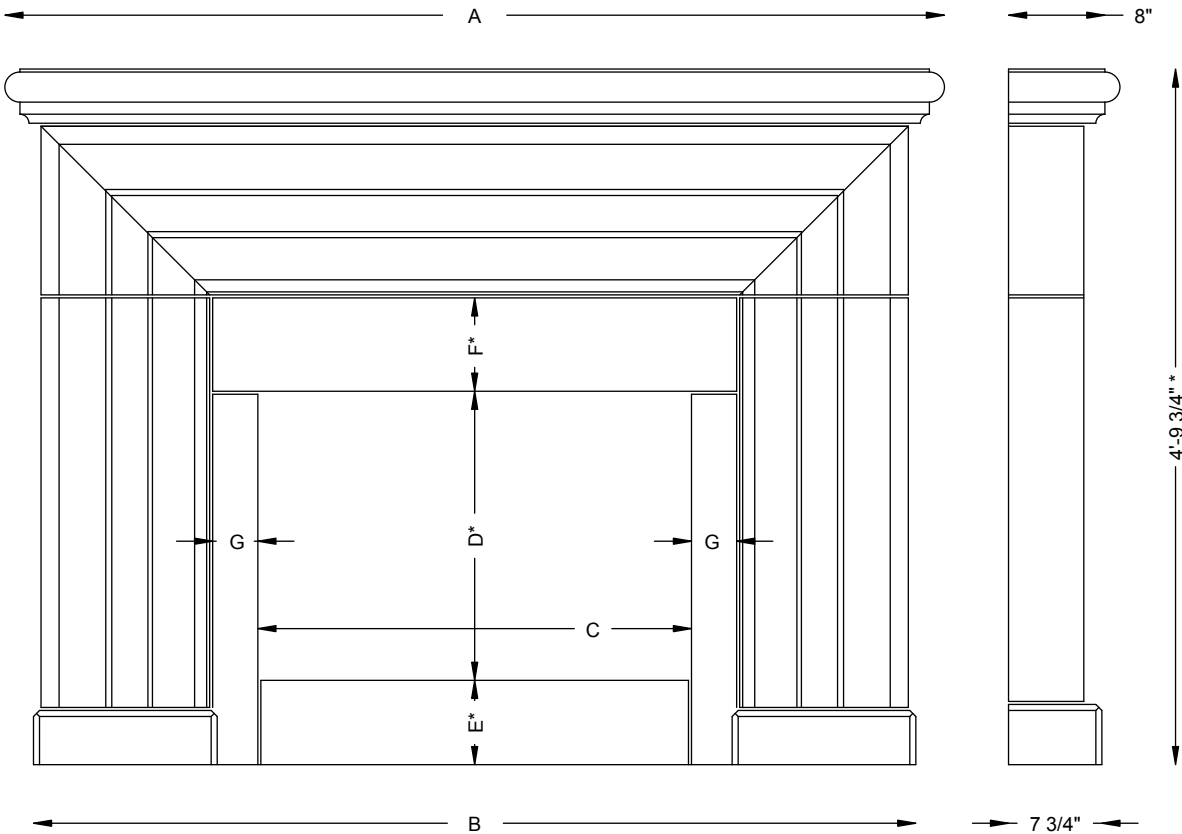
Phone: 713-667-1310 Fax: 713-667-7520 www.pdcaststone.com



PF-40 The Doliver

BOX	36"	42"	48"
A	84"	84"	84"
B	84"	84"	84"
C	36"	42"	48"
D	*	*	*
E	*	*	*
F	*	*	*
G	11 ³ / ₄ "	8 ³ / ₄ "	5 ³ / ₄ "

* Dimension Varies



PF-41 The Ruth

BOX	36"	42"	48"
A	78"	78"	N/A
B	73 ¹ / ₄ "	73 ¹ / ₄ "	N/A
C	36"	44"	N/A
D	*	*	N/A
E	*	*	N/A
F	*	*	N/A
G	3 ³ / ₄ "	N/A	N/A

* Dimension Varies