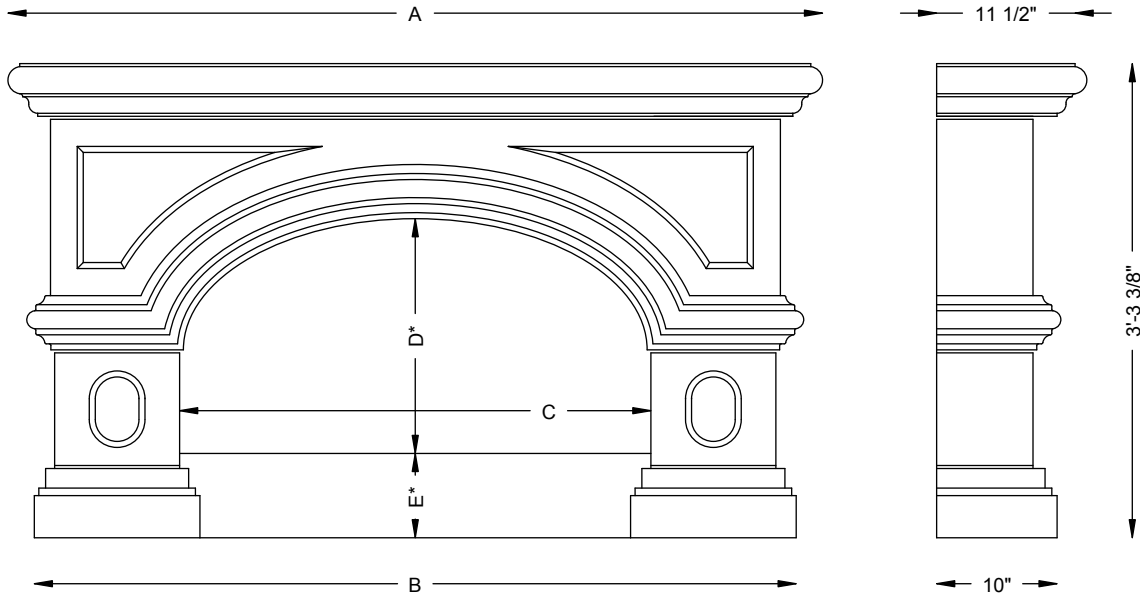


# PRECISION DEVELOPMENT

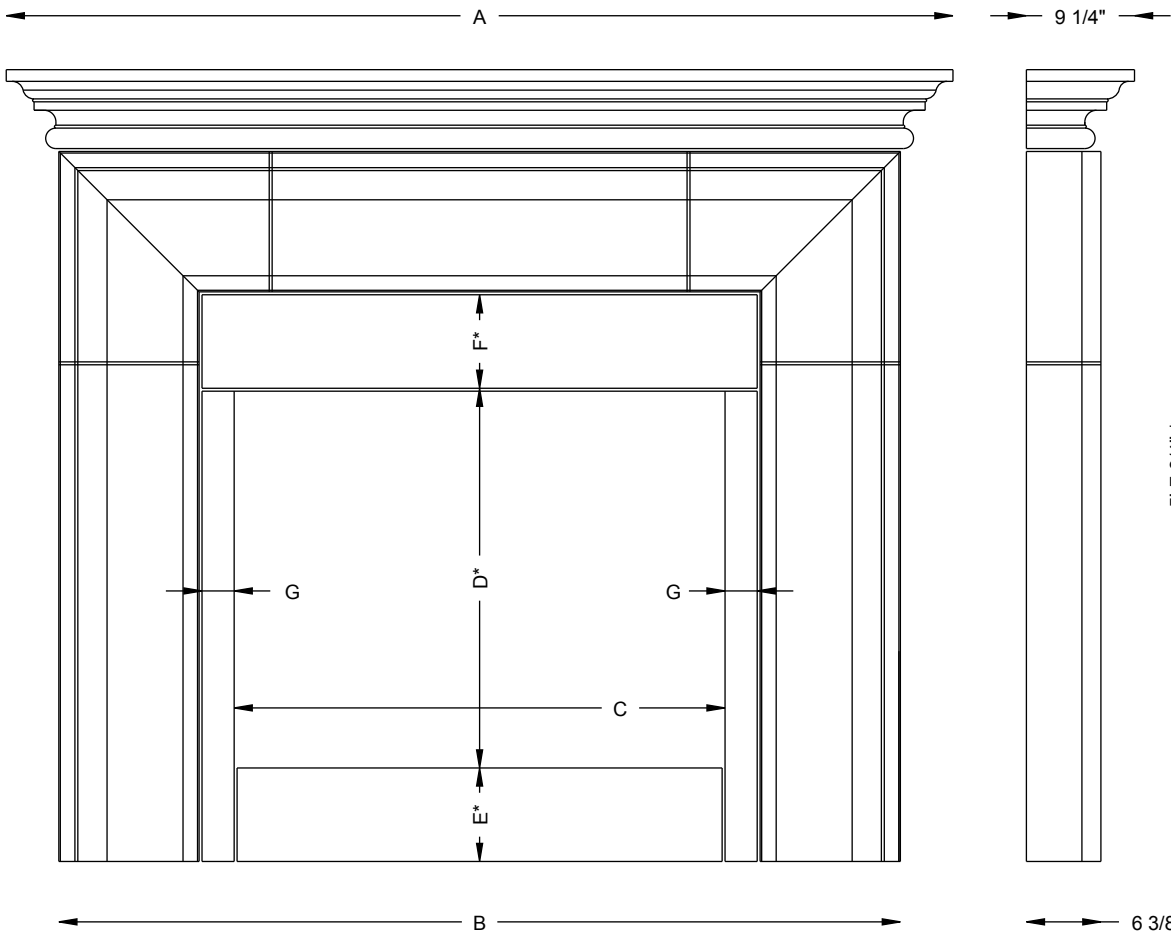
Phone: 713-667-1310 Fax: 713-667-7520 www.pdcaststone.com



PF-42 The Yorkshire

BOX	36"	42"	48"
A	67 <sup>5</sup> / <sub>8</sub> "	N/A	N/A
B	63 <sup>1</sup> / <sub>4</sub> "	N/A	N/A
C	39"	N/A	N/A
D	*	N/A	N/A
E	*	N/A	N/A
F	*	N/A	N/A

\* Dimension Varies



PF-43 The Grant

BOX	36"	42"	48"
A	81"	81"	81"
B	72"	72"	72"
C	36"	42"	48"
D	*	*	*
E	*	*	*
F	*	*	*
G	5 <sup>3</sup> / <sub>4</sub> "	2 <sup>3</sup> / <sub>4</sub> "	N/A

\* Dimension Varies