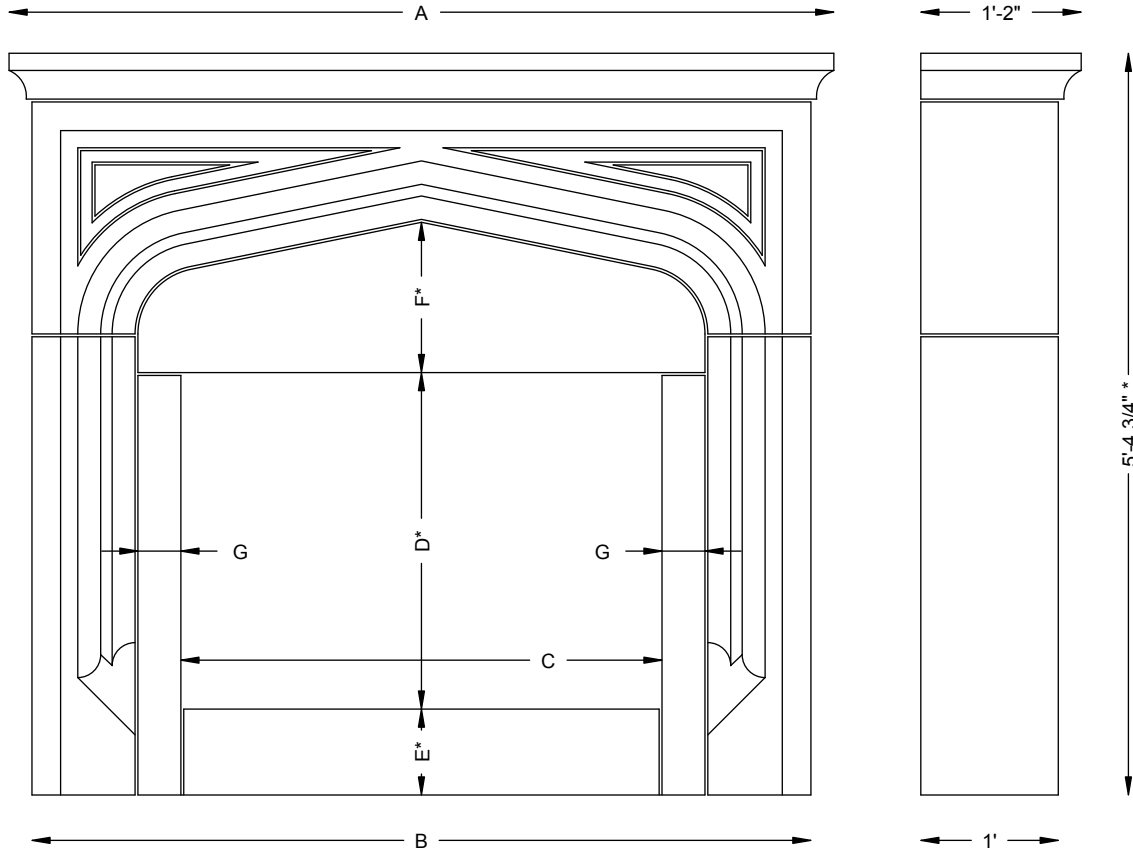


PRECISION DEVELOPMENT

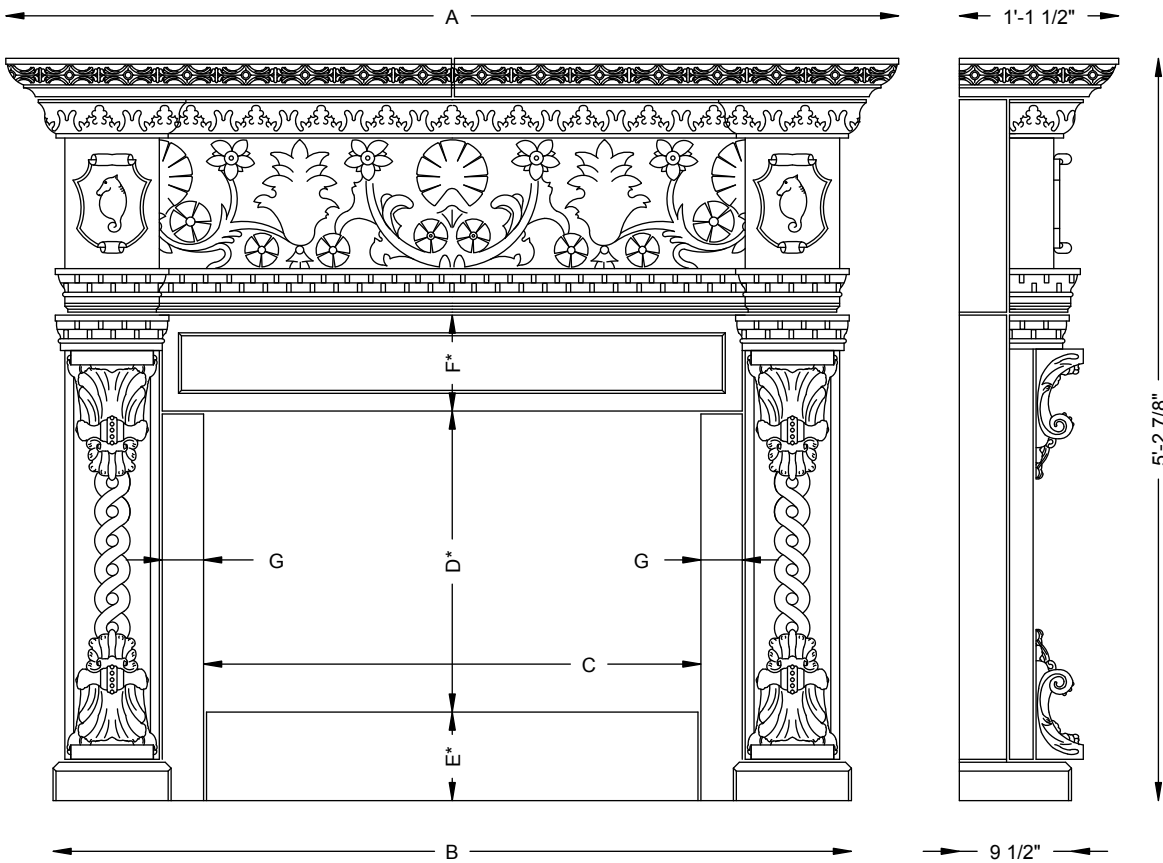
Phone: 713-667-1310 Fax: 713-667-7520 www.pdcaststone.com



PF-23 The Wexford

BOX	36"	42"	48"
A	72"	72"	72"
B	68"	68"	68"
C	36"	42"	50"
D	*	*	*
E	*	*	*
F	*	*	*
G	6 $\frac{3}{4}$ "	3 $\frac{3}{4}$ "	N/A

* Dimension Varies



PF-24 The Seaside

BOX	36"	42"	48"
A	75 $\frac{3}{8}$ "	75 $\frac{3}{8}$ "	75 $\frac{3}{8}$ "
B	67 $\frac{5}{8}$ "	67 $\frac{5}{8}$ "	67 $\frac{5}{8}$ "
C	36"	42"	49 $\frac{1}{2}$ "
D	*	*	*
E	*	*	*
F	*	*	*
G	6 $\frac{1}{2}$ "	3 $\frac{1}{2}$ "	N/A

* Dimension Varies